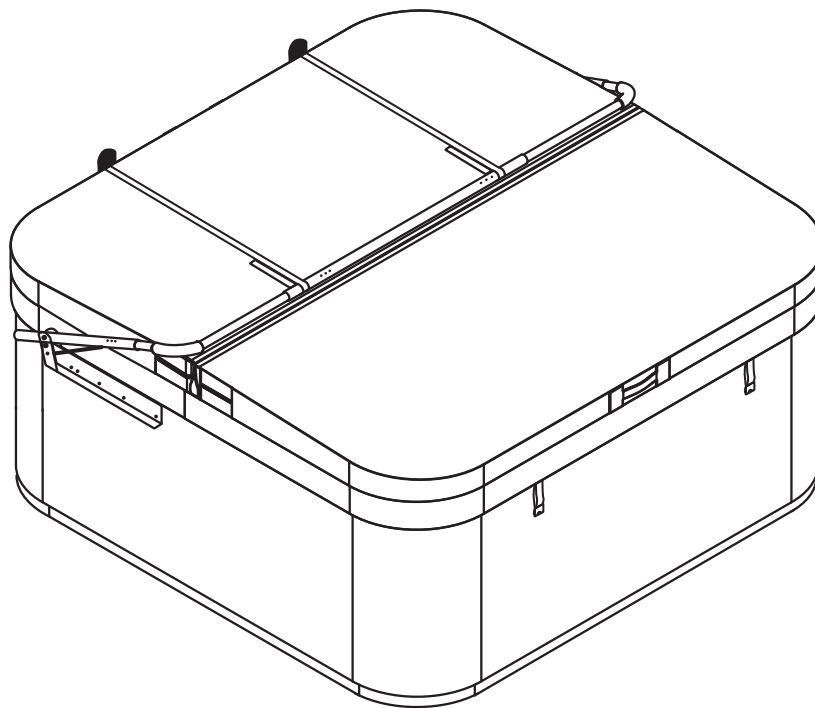


# westerbergs

## installation instructions and user manual



### assembling kit



1 Left mounting bracket



2 Right mounting bracket



3 1x Coupler



4 2x Cover support arm



5 30x 1" Wood screw



6 42x Black PVC push cap



7 12x 1" Black tek screw



8 2x Carriage bolt



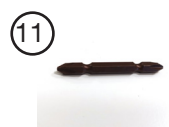
9 5x 1/2" Black PVC cap



10 3/8" Lock nut



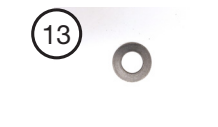
11 2x Set of cover saver



12 1x Phillips driver



13 1x 1/8" Drill bit

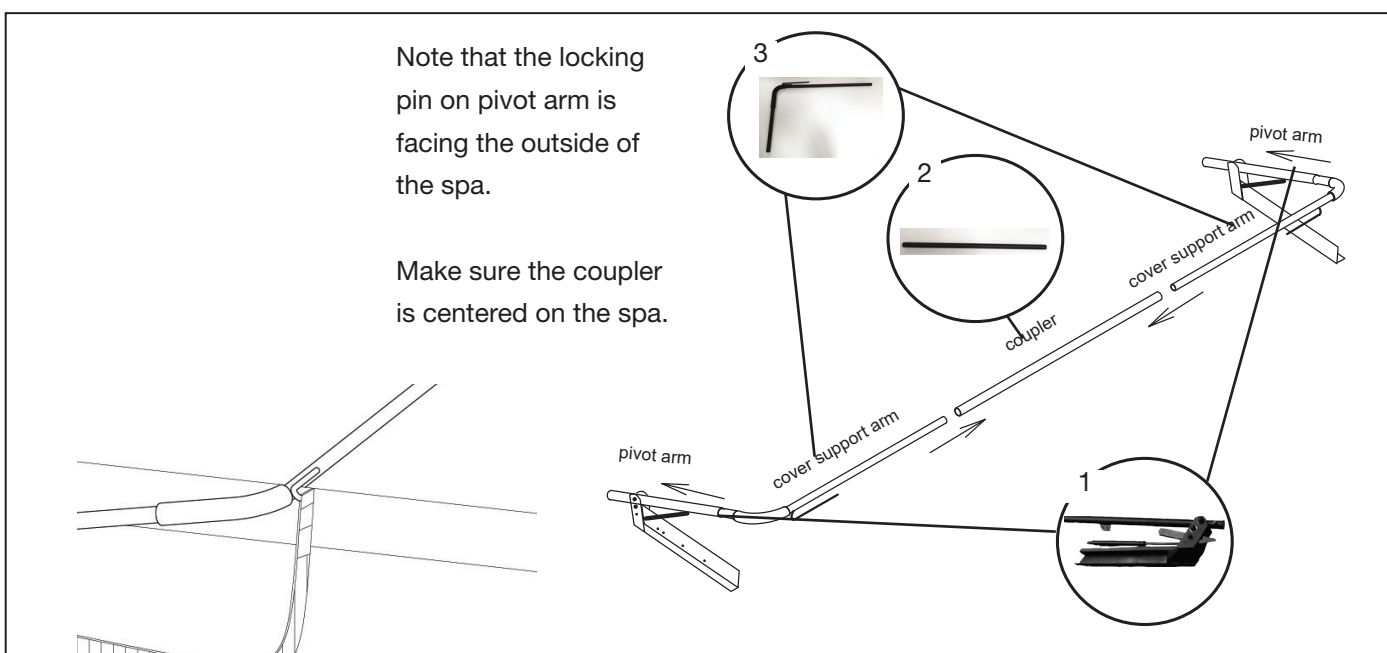
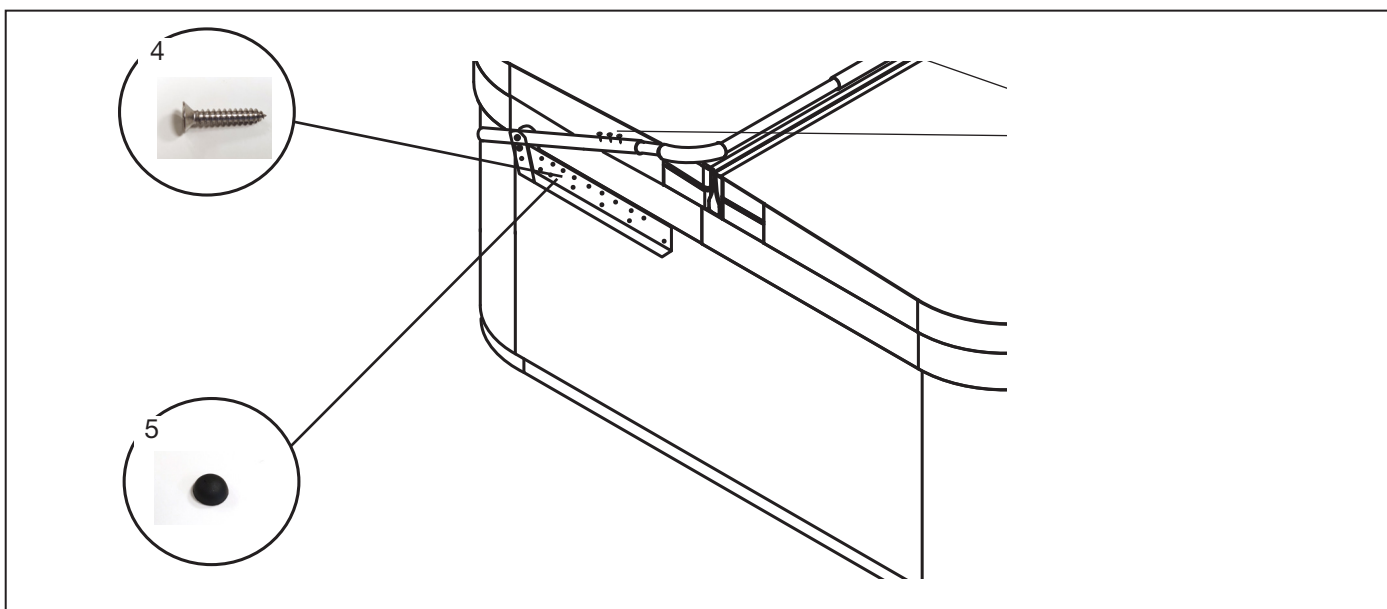
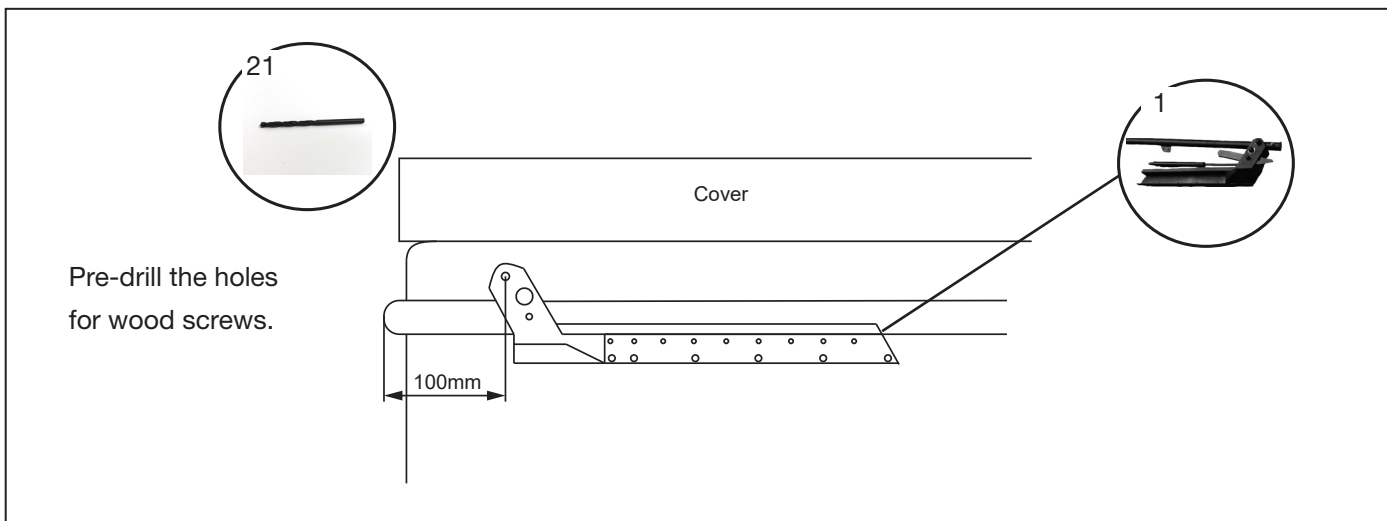


14 5x 1/3" Washer

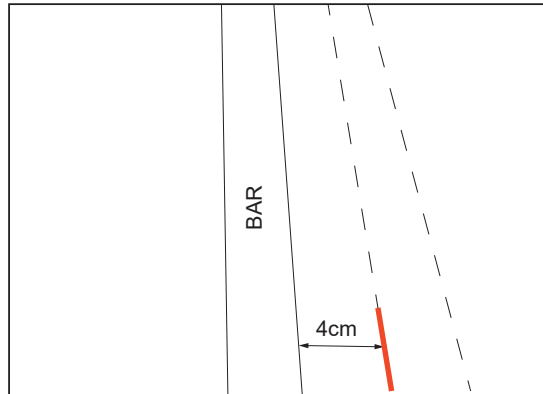


westerbergs

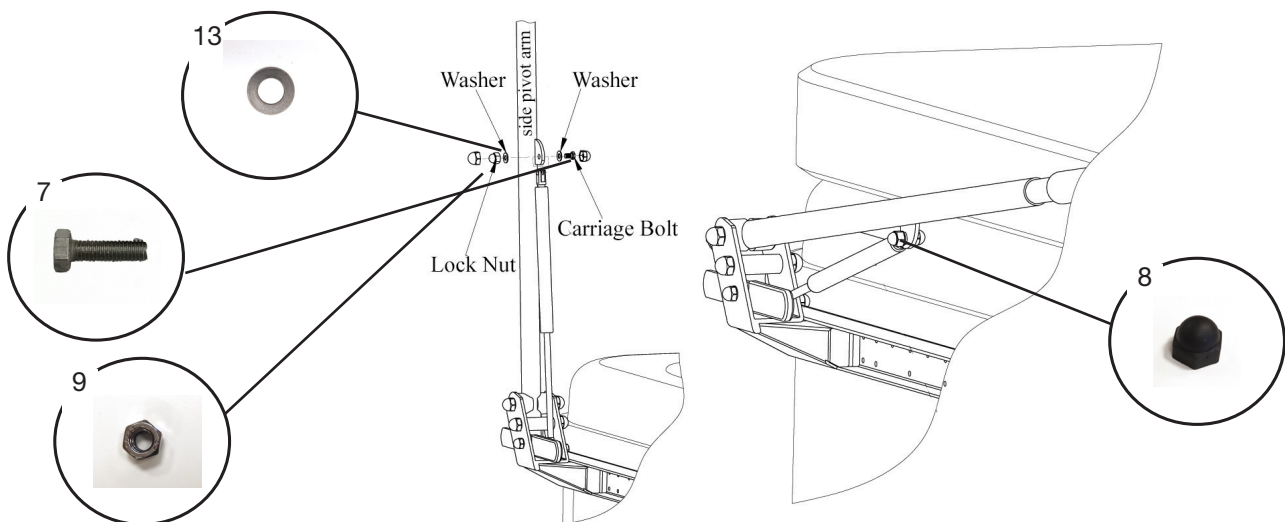
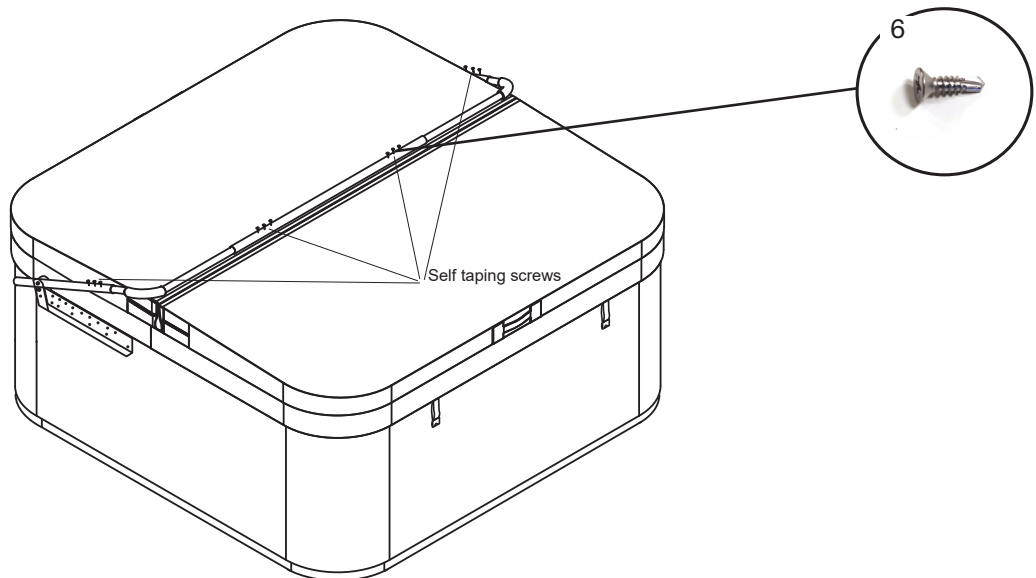
Make sure the spa cover is in closed position when you install the cover lifter.



Note that the center bar should be 4cm from center of cover to prevent damages.



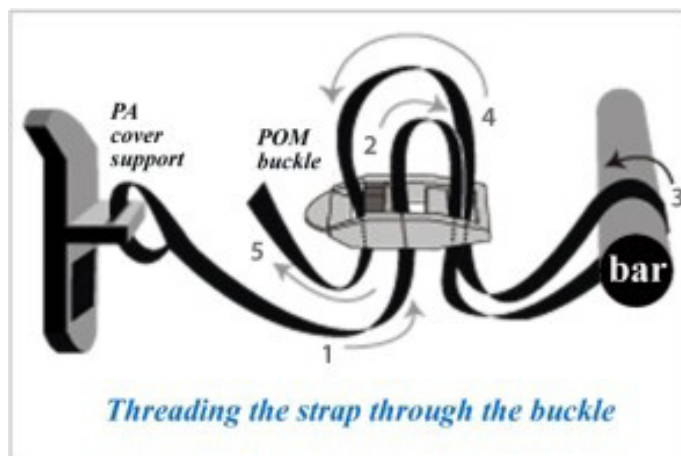
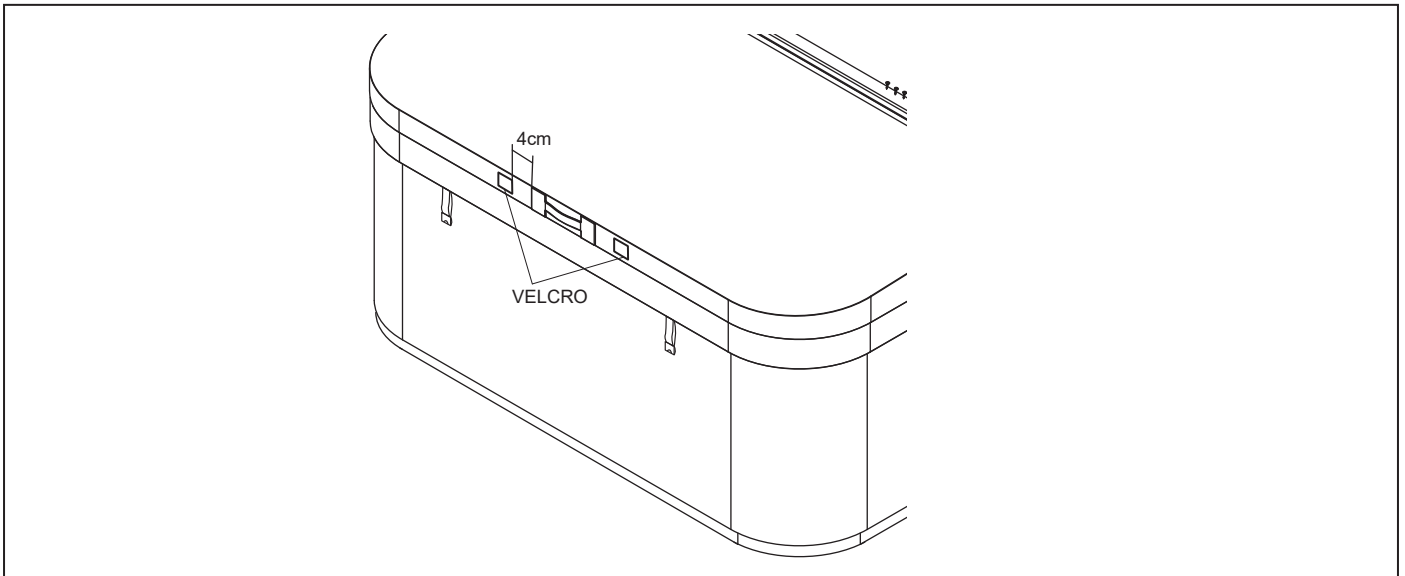
Make sure the center coupler is faced with the holes towards the back of the spa.





westerbergs

## Cover protection instructions



When the cover is in upright position, the cover should not be resting on the center bar.

Note that the weight of the cover should be resting on your cover protection if it's been properly installed

